

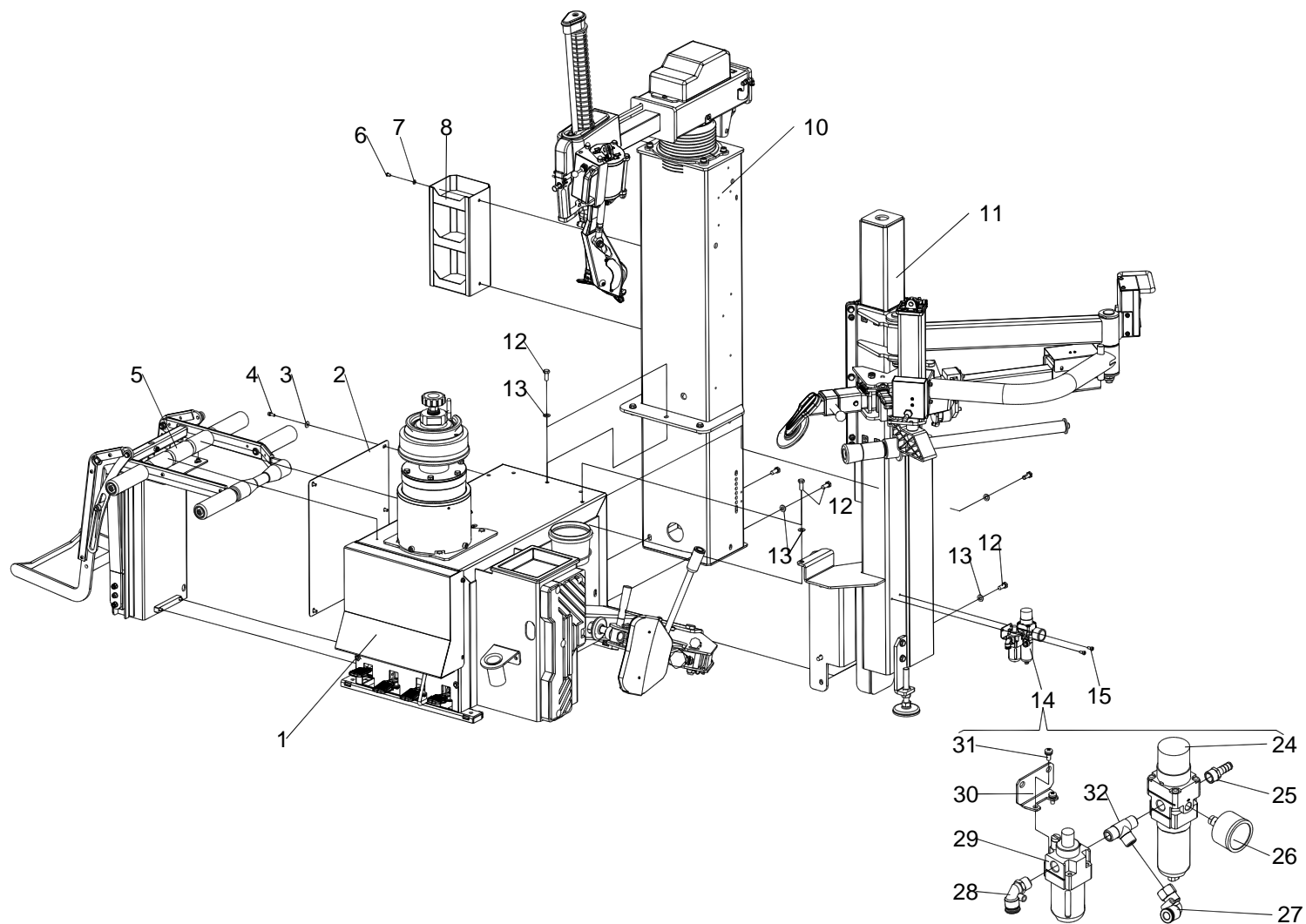


# ШИНОМОНТАЖНЫЙ СТАНОК СУПЕРАВТОМАТ КС-508А Про



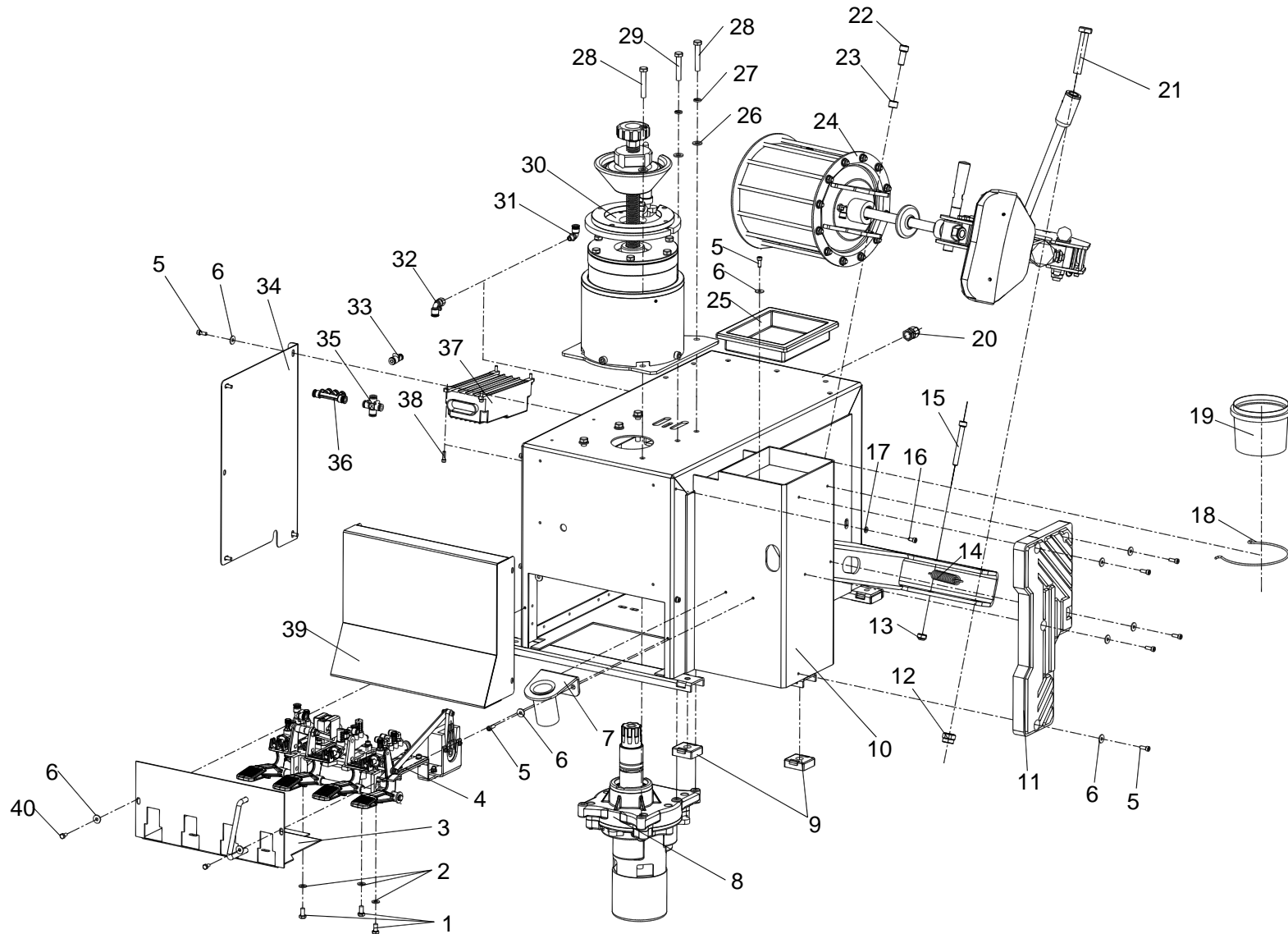
КАТАЛОГ ЗАПЧАСТЕЙ

EAC



TAVO	TIRE CHANGER	ED. 03/2020
------	--------------	-------------

ITEM	PART NO.	DESCRIPTION	QTY	REMARK
1	C34B100000	Shell	1	
2	C34A000001	Side cover	1	
3	02050007	Washer GB/T96/6	5	
4	02020032	Screw GB/T70.1/M6X16	5	
5	C34B700000	Wheel lift	1	
10	C34A200000	HORIZ. AND VERT. ARMS	1	
11	C34B300000	Right helper	1	
12	02010064	Screw GB/T5783/M10X25	10	
13	02050011	Washer GB/T97.1/10	10	
14	C00AQ52000	SMC lubricator + filter regulator	1	
15	02020024	Screw GB/T70.1/M6X12	2	
24	03060278	Filter regulator AW20-F02C-2R	1	
25	03060008	Union D.8 1/4	1	
26	03060347	Pressure gauge	1	
27	03060039	Quick union 8-1/4	1	
28	03060032	90°quick union 8-1/4	1	
29	03060284	Lubricator AL20-F02-R	1	
30	C00AQ51001	Bracket	1	
31	02060059	Screw GB/T9074.4/M4X8	2	
32	03060077	Union 1/4	1	



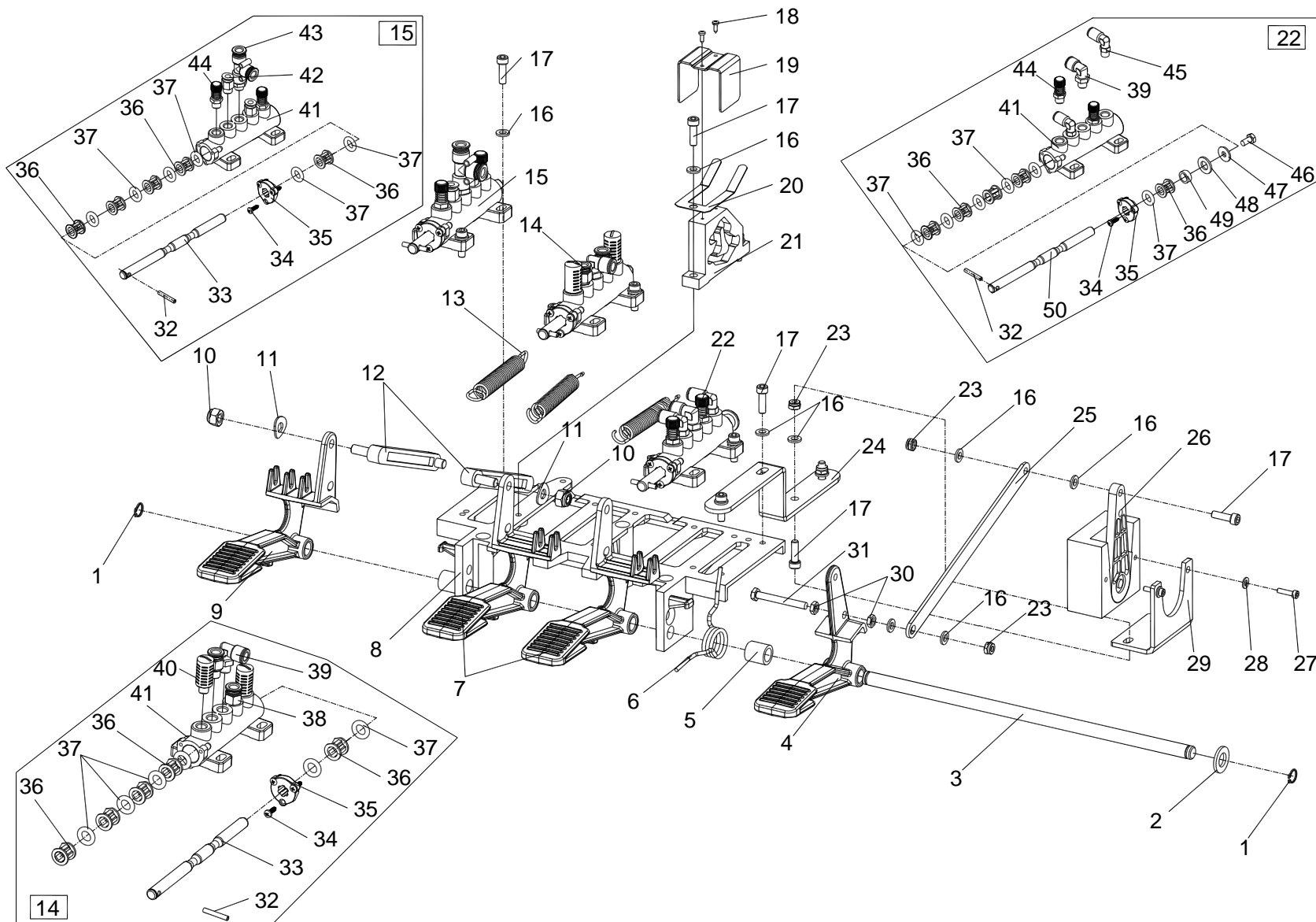


TAV1.0	BODY	ED. 03/2020
--------	------	-------------

ITEM	PART NO.	DESCRIPTION	QTY	REMARK
1	02010026	Screw GB/T5783/M8X16	3	
2	02050008	Washer GB/T97.1/8	3	
3	YC3-2412452-C	Pedal support	1	
4	C34B820000	Pedal control unit	1	
5	02020032	Screw GB/T70.1/M6X16	13	
6	02050007	Washer GB/T96/6	16	
7	C34A260000	Support	1	
8	05090257	Motor 220V 50/60HZ	1	
9	YC1-3002099	Plastic foot	5	
10	C34B110000	Shell	1	
11	C29B100002	Wheel support	1	
12	02040008	Nut GB/T889.1/M16	1	
13	02040005	Nut GB/T889.1/M10	1	
14	YC1-3000114A	Spring	1	
15	02020067	Screw GB/T70.1/M10X85	1	
16	02020024	Screw GB/T70.1/M6X12	4	
17	02050006	Washer GB/T97.1/6	4	
18	YC1-3000069	Spring	1	
19	YC1-4299984	Grease cup	1	
20	05080252	Cable relief M18	1	
21	02010099	Screw GB/T5782/M16X90	1	
22	02020090	Screw GB/T70.1/M12X30	2	
23	YC1-3015573	Bush	2	
24	C34B400000	Bead breaker arm assembly	1	
25	203B-3018314	Tool box	1	
26	02050011	Washer GB/T97.1/10	6	

TAV1.0	BODY	ED. 03/2020
--------	------	-------------

27	02080007	Washer GB/T93/10	6
28	02010192	Screw GB/T5782/M10X60	4
29	02010055	Screw GB/T5782/M10X55	2
30	C34A500000	Pneumatic clamp unit	1
31	03060277	Quick union $\Phi$ 8-1/8	1
32	03060034	90° quick union $\Phi$ 8-1/8	1
33	03060165	Quick union 6-4	1
34	C34A000002	Side cover 2	1
35	03060152	Quick union $\Phi$ 8	1
36	03060028	5-way quick union D.8 - D.6	1
37	05010094	Motor controller	1
38	02020018	Screw GB/T70.1/M5X18	4
39	C22A010100	Front cover	1
40	02010011	Screw GB/T5783/M6X12	2

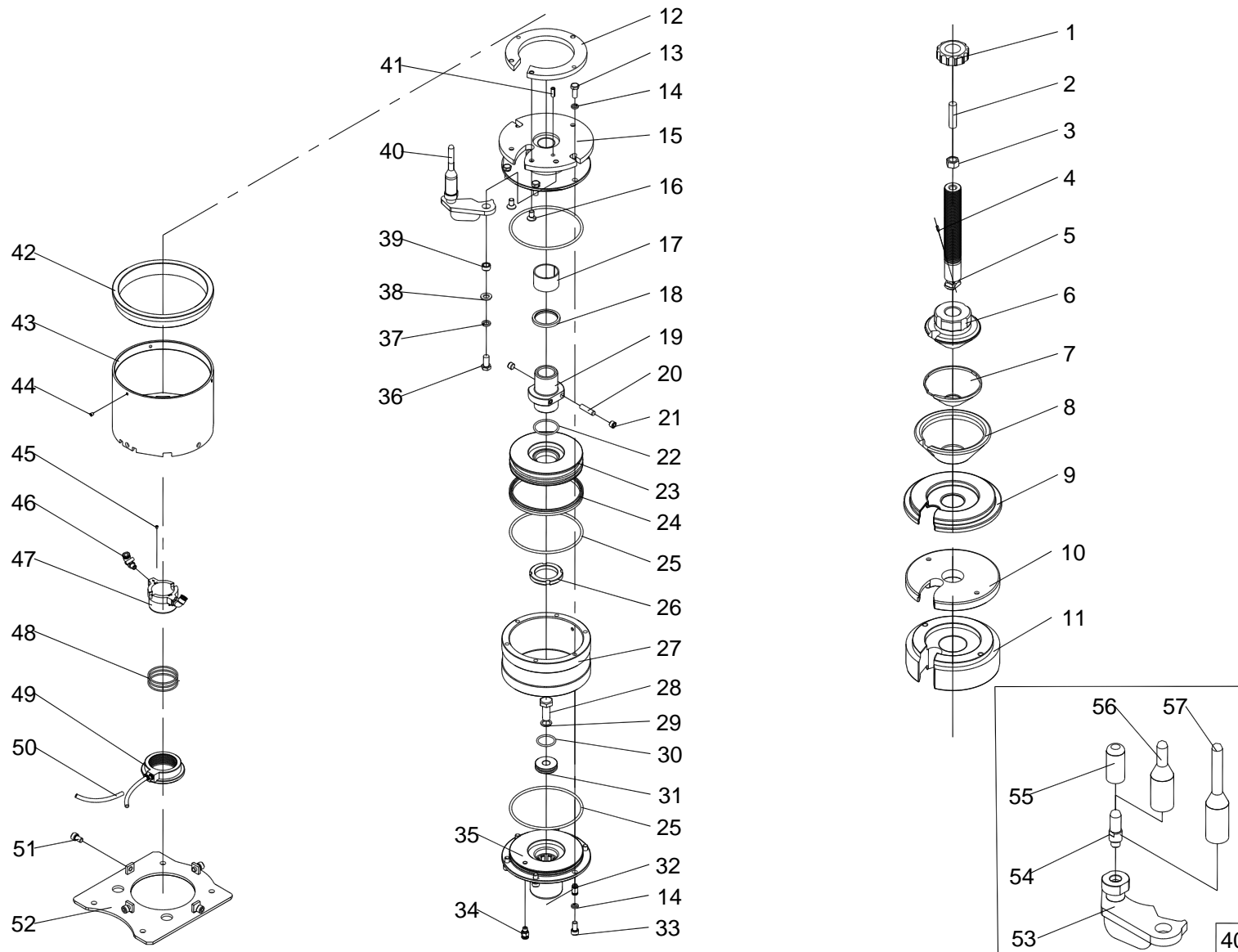


TAV1.1	PEDAL CONTROL UNIT	ED. 03/2020
--------	--------------------	-------------

ITEM	PART NO.	DESCRIPTION	QTY	REMARK
1	02120001	Seeger GB/T894.1/12	2	
2	02050013	Washer GB/T97.1/12	1	
3	YC2-3003095	Pedal alignment pin	1	
4	YC1-3002157-D	Pedal A	1	
5	YC1-3007953	Bush	2	
6	C00A000001	Pedal Control Spring	1	
7	YC1-3002159-D	Pedal B	2	
8	YC1-3002161	Pedal box base	1	
9	YC2-3002160-D	Pedal C	1	
10	02040004	Nut GB/T889.1/M8	2	
11	02080014	Washer GB/T955/8	2	
12	YC1-4299912	Connection rod	2	
13	YC1-3013333	Spring	3	
14	YC1-2002529	Turntable valve unit	1	
15	YC2-2002531	Tilting control valve unit	1	
16	02050006	Washer GB/T97.1/6	16	
17	02020033	Screw GB/T70.1/M6X20	13	
18	0207026	Screw GB/T845/ST2.9X9.5	2	
19	YC1-3099910	Connection rod guide	1	
20	YC2-4299910	Forked leaf spring	1	
21	YC1-4299913	Double cam	1	
22	C33A821100	Wheel lift valve unit	1	
23	02040003	Nut GB/T889.1/M6	4	
24	C205010002	Support	1	
25	C34B820002	Rod	1	
26	05050091	Controller switch	1	
27	02020011	Screw GB/T70.1/M4X16	2	

TAV1.1	PEDAL CONTROL UNIT	ED. 03/2020
--------	--------------------	-------------

ITEM	PART NO.	DESCRIPTION	QTY	REMARK
28	02050004	Washer GB/T97.1/5	2	
29	23145093	Switch support	1	
30	0204094	Nut GB/T6172.1/M6	2	
31	02010016	Screw GB/T5782/M6X50	1	
32	02130003	Pin GB/T879.1/4X25	3	
33	YC1-3002442	Valve pin 1	2	
34	02070032	Screw GB/T845/ST3.5X13	15	
35	YC1-3001585	Valve flange	3	
36	YC1-3001584	Valve spacer	15	
37	YC1-4299000	O-ring 17×4	18	
38	03060142	Quick union 8-1/8	2	
39	03060137	90 degree quick union 8-1/8	2	
40	03060059	Silencer PSL-01	2	
41	YC1-3001583	Valve body	3	
42	03060046	Quick union 6-1/8	2	
43	03060021	Quick T union 8-1/8	1	
44	03060013	Silencer PSS-01	4	
45	03060138	Quick union 6-1/8	2	
46	02010011	Screw GB/T5783/M6X12	1	
47	02050007	Washer GB/T96/6	1	
48	02050011	Washer GB/T97.1/10	1	
49	YC1-4197629	Nylon washer	1	
50	YC1-3007598	Valve pin 3	1	



TAV1.2	CENTERING CHUCK	ED. 03/2020
--------	-----------------	-------------

ITEM	PART NO.	DESCRIPTION	QTY	REMARK
1	YC1-3000487	Knob	1	
2	02130047	Screw M16X60	1	
3	0203025	Nut M16	1	
4	0213066	Pin 4X16	1	
5	C33A540001	Screw	1	
6	C33P500003	Cone	1	
7	C33A540003	Cone protection	1	
8	C33B540007	Cone	1	
9	C34A500002	Plastic adaptor	1	
10	C33B500002	Adaptor	1	
11	C33P500004	Turntable extension	1	
12	C33A500001	Turntable flange	1	
13	0201064	Screw M10X25	6	
14	0208007	Locking washer D.10	12	
15	C33P510200	Cylinder flange	1	
16	0207023	Screw M10X20	3	
17	0210096	Bush SF-1/5035	1	
18	0310015	Sealing ring 50X60X6	1	
19	C33P510001	Shaft	1	
20	0213127	Pin 10X40	2	
21	0305032	Plug BD-02(G1/4)	4	
22	0309127	O-ring 48.7X3.55	1	
23	C33P510002	Piston	1	
24	0310043	Seal 160X148X12	1	
25	0309107	O-ring 150X5.3	3	
26	0204079	Nut M52X1.5	1	
27	C33P510003	Cylinder liner	1	

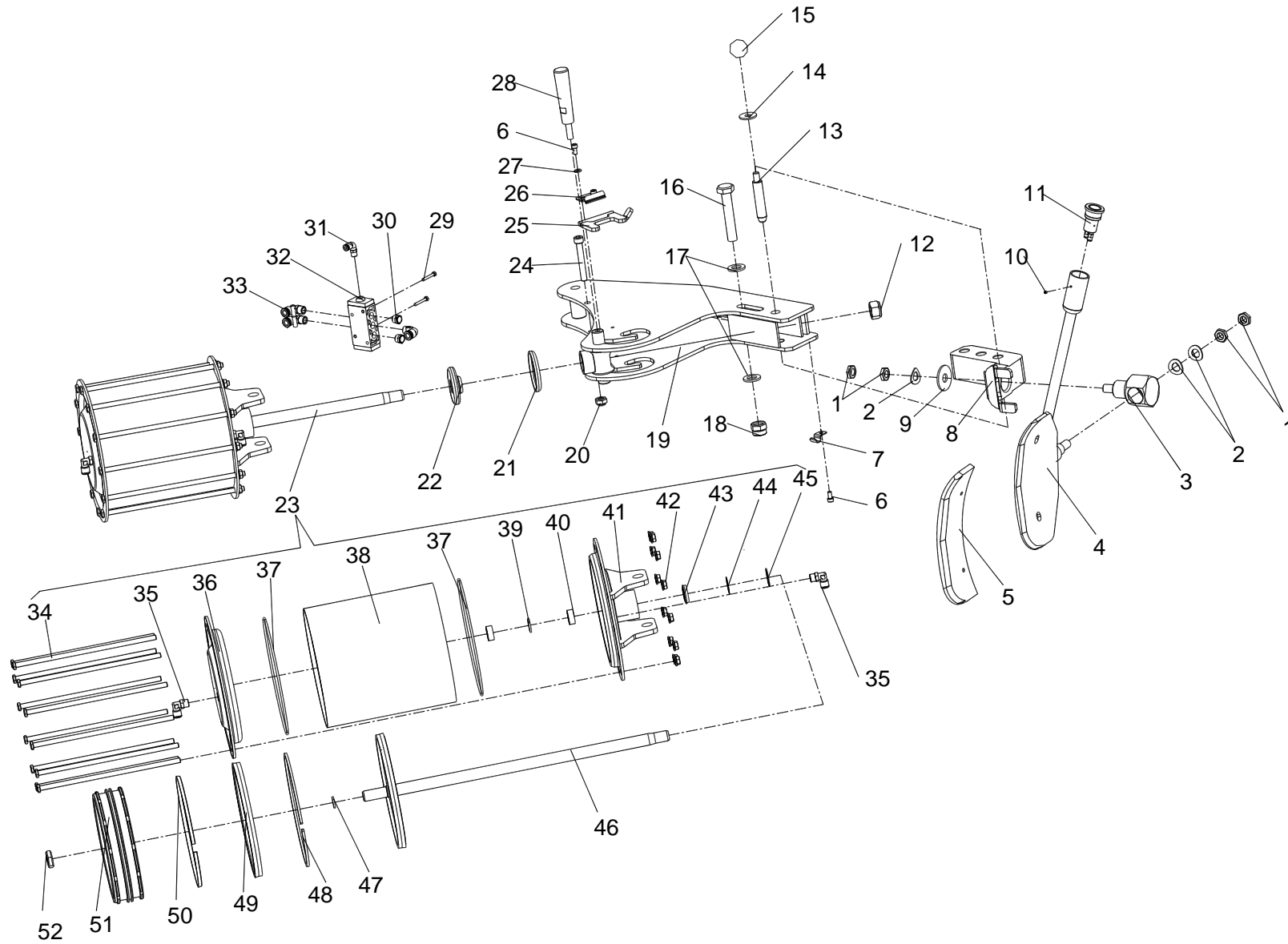


TAV1.2	CENTERING CHUCK	ED. 03/2020
--------	-----------------	-------------

ITEM	PART NO.	DESCRIPTION	QTY	REMARK
28	0201100	Screw M16X1.5X40	1	
29	0313012	Washer 3/8	1	
30	0309002	O-ring 42X3.5	1	
31	C33P510004	Spacer	1	
32	0306281	Quick union 8-1/8-M	1	
33	0202060	Screw M10X20	6	
34	0306142	90 degree quick union 8-1/8	1	
35	C33P510100	Cylinder back flange	1	
36	0201078	Screw M12X25	1	
37	0208009	Locking washer D.12	1	
38	0205013	Washer D.12	1	
39	C33A500004	Bush	1	
40	C33B560000	Shifting fork	1	
41	0213103	Pin 8X20	1	
42	C33P500002	Bush	1	
43	C33P500001	Support	1	
44	0209030	Screw M6X8	3	
45	0209043	Screw M4X6	4	
46	0306033	90 degree quick union 8-1/8	2	
47	YC1-4298956-2	Inner element of rotation union	1	
48	0309066	O-ring 60X2.65	3	
49	YC1-2003001	Outer element of rotation union	1	
50	0306097	Rilsan hose 8X5 L=850	2	
51	0202056	Screw M10X16	4	
52	C33P500100	Cylinder support	1	
53	C34A560100	Support	1	
54	C34A560001	Pin	1	

TAV1.2	CENTERING CHUCK			ED. 03/2020
--------	-----------------	--	--	-------------

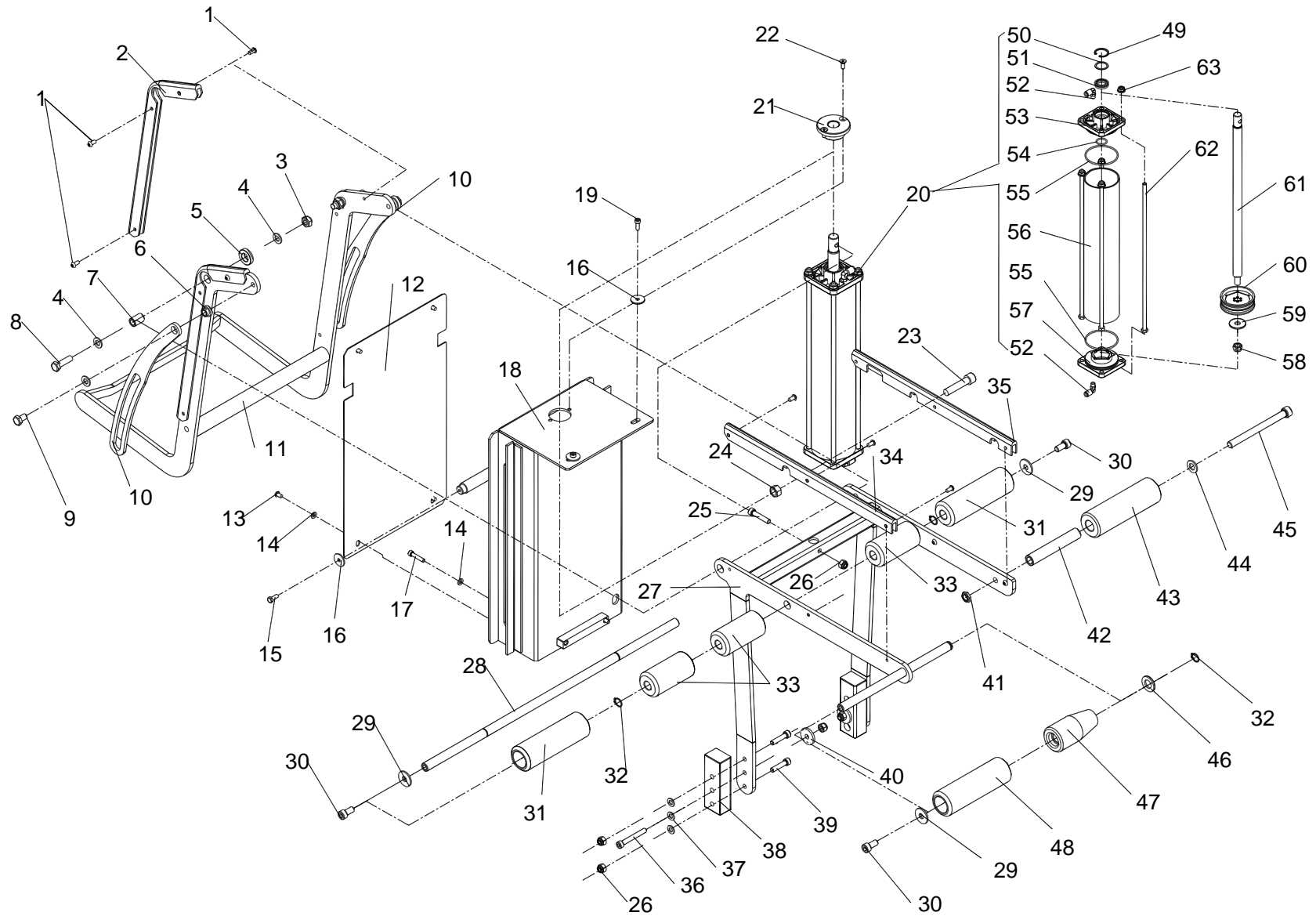
ITEM	PART NO.	DESCRIPTION	QTY	REMARK
55	C107000006	Protective cover	1	
56	C33A500008	Shaft 2	1	
57	C33A500007	Shaft 1	1	



TAV1.3	BEAD BREAKER ARMS	ED. 03/2020
--------	-------------------	-------------

ITEM	PART NO.	DESCRIPTION	QTY	REMARK
1	02040013	Nut GB/T6172.1/M14	4	
2	02080013	Washer GB/T955/14	4	
3	YC2-3010293	Pivot	1	
4	C204030000	Bead breaker plate – dual controls	1	
5	YC1-3013240	Protection cover	1	
6	02020024	Screw GB/T70.1/M6X12	5	
7	C00A000016	Clip	3	
8	C29A302000	Support	1	
9	02050016	Washer GB/T96/14	1	
10	02090058	Screw GB/T80/M4X4	1	
11	C02AQ00000	Control knob - dual controls	1	
12	02040009	Nut GB/T889.1/M18	1	
13	C29A300001	Pin	1	
14	02050010	Washer GB/T96/10	1	
15	02150017	Ball JB/T 727.1/M10X32	1	
16	02010099	Screw GB/T5782/M16X90	1	
17	02050020	Washer GB/T97.1/16	2	
18	02040008	Nut GB/T889.1/M16	1	
19	C34B401000	Bead breaker arm	1	
20	02040005	Nut GB/T889.1/M10	1	
21	106B-3006002	Absorber protection	1	
22	106B-3006001	Shock absorber	1	
23	C34B120000	Bead breaker cylinder	1	
24	02020057	Screw GB/T70.1/M10X70	1	
25	C29A303000	Safety plate	1	
26	C29A300002	Press plate	1	
27	02050006	Washer GB/T97.1/6	2	

TAV1.3	BEAD BREAKER ARMS		ED. 03/2020
28	YCH-2012683	Handle	1
29	02010113	Screw GB/T5781/M4X30	2
30	03060086	Silencer G1/4	2
31	03060035	90° quick union 4-1/8	1
32	03060211	Valve 5-way XQ250630	1
33	03060032	90°quick union 8-1/4	3
34	C00AQ10002	Screw M8X248	12
35	03060037	90° quick union 8-1/4	2
36	C207010200	Back flange	1
37	03090104	O-ring 195X3.5	2
38	C00AQ10001	Cylinder liner 200X227.5	1
39	0606004	O-ring 20X2.75	1
40	03050041	Guiding ring 67x9.5x2	2
41	C207010100	Front flange	1
42	02040025	Nut GB/T6177.1/M8	12
43	0606016	Scraper 20x30x7	1
44	YC1-4398146	Washer	1
45	02110004	Seeger GB/T893.1/30	1
46	23336006	Piston rod	1
47	03090084	O-ring GB3452.1 16X2.65	1
48	C207010001	Giuding ring	1
49	C207010004	Seal 188X200X12	2
50	C207010008	Seal support ring	2
51	C207010002	Piston	1
52	02040018	Nut GB/T6173/M18X1.5	1



TAV2	WHEEL LIFT	ED. 03/2020
------	------------	-------------

ITEM	PART NO.	DESCRIPTION	QTY	REMARK
1	02060092	Screw GB/T70.2/M6X12	13	
2	C33A700013	Guide	2	
3	02040005	Nut GB/T889.1/M10	2	
4	02050011	Washer GB/T97.1/10	6	
5	C33A700015	Spacer	2	
6	C33A700011	Bush	2	
7	C33A700018	Bush	2	
8	02010050	Screw GB/T5783/M10X35	2	
9	02010059	Screw GB/T5783/M10X16	2	
10	C33A700010	Lift linkage	2	
11	C33A730000	Wheel support	1	
12	C33A700014	Side cover	1	
13	02060050	Screw GB/T70.2/M6X10	4	
14	02050006	Washer GB/T97.1/6	6	
15	02010013	Screw GB/T5783/M6X16	2	
16	C33A700020	Washer 6	4	
17	02020026	Screw GB/T70.1/M6X30	2	
18	C33A710000	Lift frame	1	
19	02020032	Screw M6X16	2	
20	C00AQ34000	Lift cylinder unit	1	
21	C33A700007	Sliding bush	1	
22	02070024	Screw GB/T70.3/M6X16	2	
23	02020077	Pin	1	
24	02030023	Nut GB/T6170/M12	1	
25	02020042	Screw GB/T70.1/M8X40	1	
26	02040004	Nut GB/T889.1/M8	7	
27	C34A600100	Support	1	

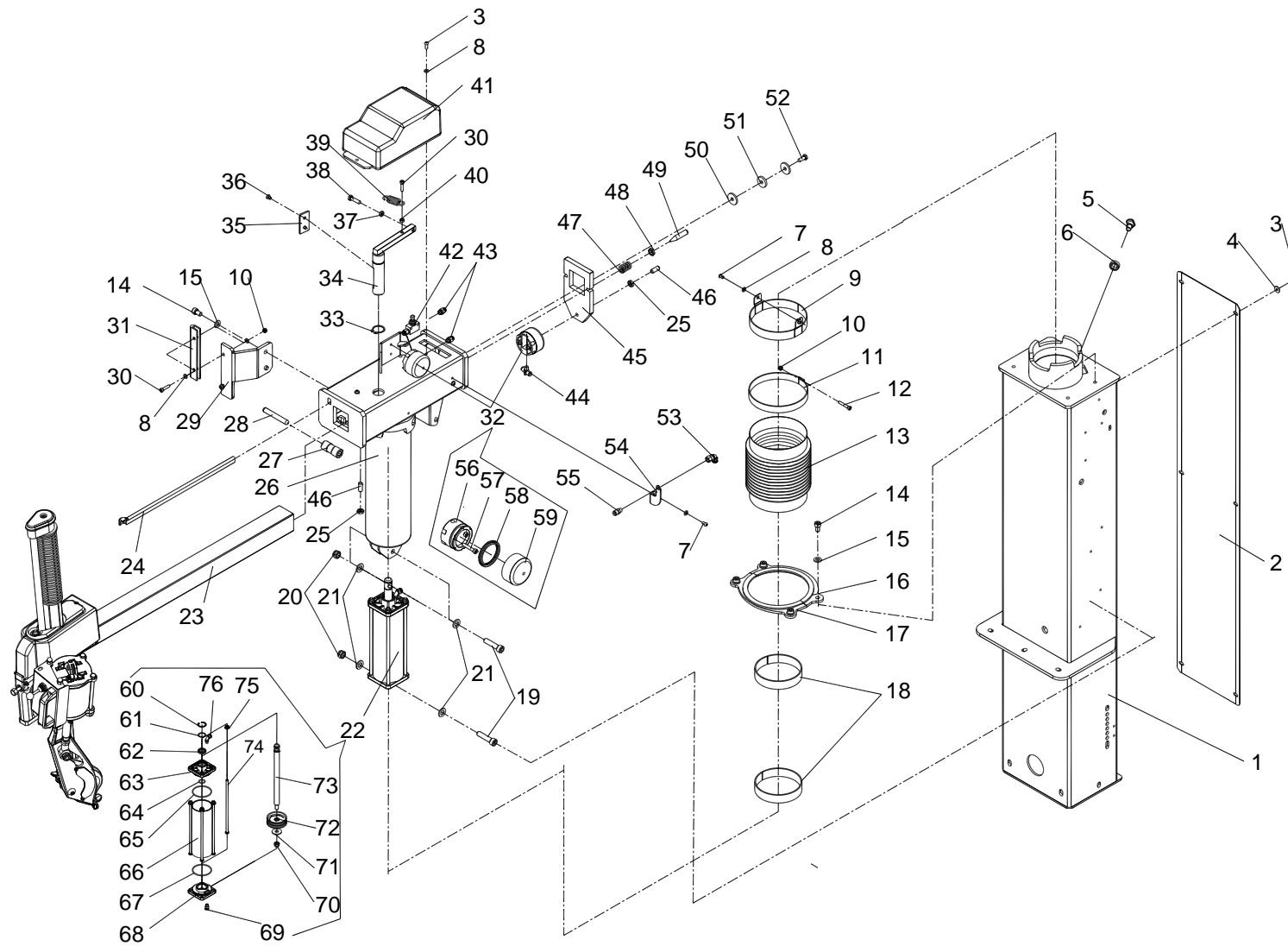


TAV2	WHEEL LIFT	ED. 03/2020
------	------------	-------------

ITEM	PART NO.	DESCRIPTION	QTY	REMARK
28	C33A700005	Roller shaft 1	1	
29	02050010	Washer GB/T96/10	3	
30	02020060	Screw GB/T70.1/M10X20	3	
31	C33A700002	Roller 2	2	
32	02120002	Seeger D.16	3	
33	C33A700001	Roller 1	3	
34	C33A700019	Right guide	1	
35	C33A700017	Left guide	1	
36	02020050	Screw GB/T70.1/M8X60	2	
37	02050008	Washer GB/T97.1/8	6	
38	C33A700012	Slider	2	
39	02020041	Screw GB/T70.1/M8X35	4	
40	YC2-4399947	Washer	2	
41	02040016	Nut GB/T6172.1/M12	1	
42	C33A700009	Bush	1	
43	C33A700003	Roller 3	1	
44	02050013	Washer GB/T97.1/12	1	
45	02020089	Screw GB/T70.1/M12X140	1	
46	02050020	Washer GB/T97.1/16	1	
47	C34A600001	Roller	1	
48	C34A600002	Roller 4	1	
49	02110004	Seeger GB/T893.1/30	1	
50	YC1-4398146	Washer	1	
51	0606016	Seal 20X30X7	1	
52	0306138	90 degree quick union 6-1/8	2	
53	YC1-3015024A	Front flange	1	
54	0606004	O-ring 20X2.75	1	

TAV2	WHEEL LIFT	ED. 03/2020
------	------------	-------------

ITEM	PART NO.	DESCRIPTION	QTY	REMARK
55	0606007	O-ring 75x3,55	2	
56	C00AQ34001	Cylinder liner	1	
57	YC1-3015023A	Back flange	1	
58	02040007	Nut GB/T889.1/M12	1	
59	02050014	Washer GB/T96/12	1	
60	YC1-4198856	Piston	1	
61	C00AQ34003	Cylinder shaft	1	
62	C00AQ34002	Stud	4	
63	02040025	Nut GB/T6177.1/M8	4	



TAV3	HORIZ .AND VERT ARMS	ED. 03/2020
------	----------------------	-------------

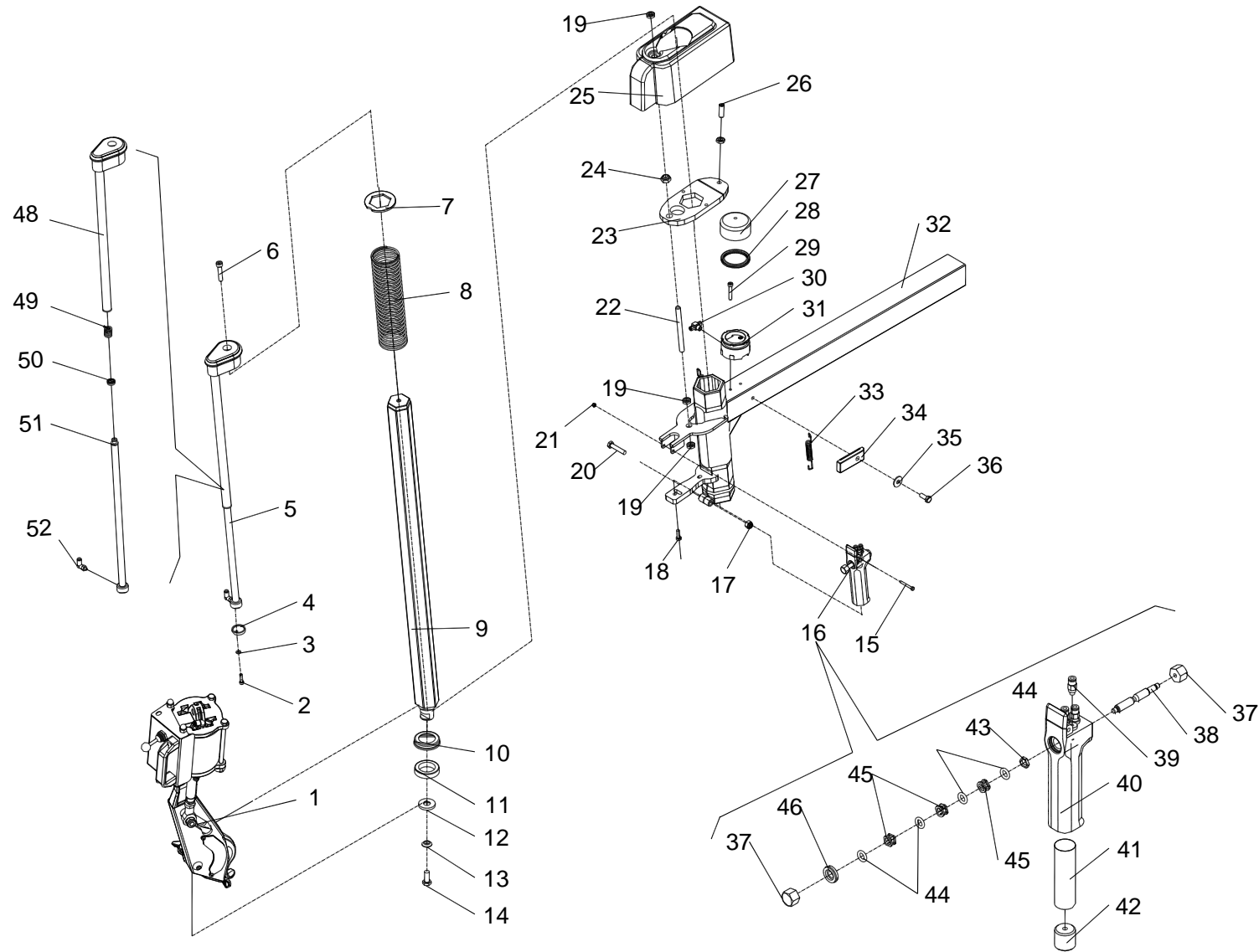
ITEM	PART NO.	DESCRIPTION	QTY	REMARK
1	C34A210000	Vertical post	1	
2	C34A200007	Cover	1	
3	0206048	Screw M6X16	8	
4	0205007	Washer D.6	6	
5	C34A200004	Shaft	1	
6	C34A200005	Bush	1	
7	0206050	Screw M6X10	4	
8	0205006	Washer D.6	10	
9	C34A200006	Holder	1	
10	0204003	Nut M6	3	
11	C34A200100	Upper hoop	1	
12	0202027	Screw M6X35	1	
13	C34A200008	Cover	1	
14	0202056	Screw M10X16	6	
15	0205011	Washer D.10	6	
16	C34A250000	Back hoop	1	
17	C34A240000	Front hoop	1	
18	0305006	Scraper $\Phi$ 123X25X2.5	2	
19	0202072	Screw M12X50 -GB/T70.1	2	
20	0204007	Nut M12	2	
21	0205013	Washer D.12	4	
22	C00BQ39000	Cylinder unit	1	
23	C33A202000	Horizontal arm	1	
24	C33A200003	Guide	1	
25	0204012	Nut M10 - GB/T6172	3	
26	C34A220000	Rotation post	1	
27	C33A200009	Roller	1	

TAV3	HORIZ .AND VERT ARMS	ED. 03/2020
------	----------------------	-------------

ITEM	PART NO.	DESCRIPTION	QTY	REMARK
28	C33A200005	Pin 12X80	1	
29	C34A200003	Limit stop plate	1	
30	0202034	Screw M6X25	3	
31	C34A200009	Nylon plate	1	
32	YC2-2099665	Locking cylinder unit	2	
33	0212021	Seeger D.30	1	
34	C34A230000	Shaft	1	
35	C34A200011	Protective plate	1	
36	0207071	Screw M6X10	2	
37	0204031	Nut M8	1	
38	0201031	Screw M8X30	1	
39	C34A200010	Spring	1	
40	0203035	Nut M6	1	
41	C34A200001	Cover	1	
42	0307090	Adjustable valve RFO-382-1/8	1	
43	0306117	Quick union D.4 1/8	3	
44	0306029	Quick tee union D.4-1/8	1	
45	C33A200002	Arm locking plate	1	
46	0209024	Screw M10X25	3	
47	YC3-3005408	Spring	2	
48	0204016	Nut M12	2	
49	YC2-3015677	Adjustment screw	2	
50	YC2-4399947	Washer	2	
51	YC2-3000181	Washer	1	
52	0201042	Screw M8X20	1	
53	0306038	90 degree quick union 6-1/8 female	1	
54	C33A200008	Support	1	

TAV3	HORIZ .AND VERT ARMS	ED. 03/2020
------	----------------------	-------------

ITEM	PART NO.	DESCRIPTION	QTY	REMARK
55	0306141	Quick rotation union 6-1/8	1	
56	YC2-4299523	Piston	1	
57	YC2-4299524	Locking cylinder liner	1	
58	YC2-4299522	Seal	1	
59	0202027	Screw M6X35	2	
60	02110004	Seeger D.30	1	
61	YC1-4398146	Washer	1	
62	0606016	Scraper 20X30X7	1	
63	YC1-3015024A	Front flange	1	
64	0606004	O-ring 20X2.75	1	
65	0606007	O-ring 75x3,55	1	
66	C00BQ39002	Cylinder liner $\Phi$ 75X220	1	
67	0606007	O-ring 75x3,55	1	
68	YC1-3015023A	Back flange	1	
69	0306046	Quick union 6-1/8	1	
70	0204007	Nut M12	1	
71	0205014	Washer D.12	1	
72	YC1-4198856	Piston	1	
73	C00BQ39001	Cylinder shaft $\Phi$ 20X305 05	1	
74	C00AQ10002	Screw M8X248	4	
75	0204025	Nut M8 - GB/T6177.1	4	
76	0306036	90 degree quick union 6-1/8	1	



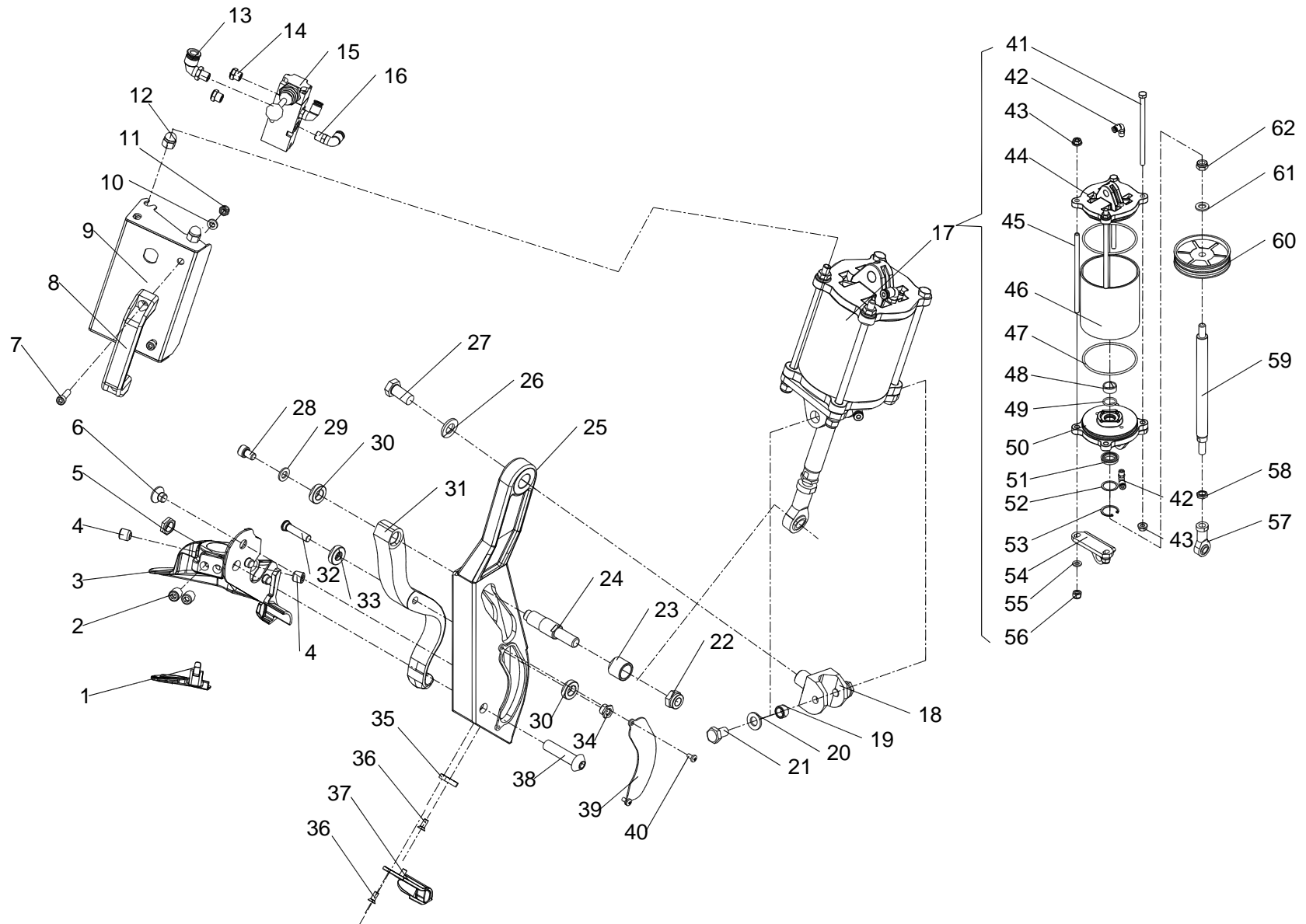


TAV3.1	WORKING ARM ASSEMBLY	ED. 03/2020
--------	----------------------	-------------

ITEM	PART NO.	DESCRIPTION	QTY	REMARK
1	C01E710000	Leverless mounting tool	1	
2	0202021	Screw M5X20	1	
3	0205004	Washer D.5	1	
4	YC2-4397032	Rubber pad	1	
5	C00AQ33000	Cylinder liner unit	1	
6	0202042	Screw M8X40	1	
7	C33A200006	Elastic washer	1	
8	C33A202002	Spring	1	
9	C33A202001	Hexagonal arm	1	
10	C203000006	Protection	1	
11	C203000005	Shock absorber	1	
12	YC1-4295804	Conical washer	1	
13	YC1-4295805	Spherical washer	1	
14	0201064	Screw M10X25	1	
15	0201003	Screw M4X35	1	
16	YC2-2008335-S	Arm control valve	1	
17	0204004	Nut M8	1	
18	0201014	Screw M6X20	1	
19	0204012	Nut M10	4	
20	0201037	Screw M8X45	1	
21	0204001	Nut M4	1	
22	YC2-3012459	Screw M10X135	1	
23	C33A200010	Arm locking plate	1	
24	0204005	Nut M10	1	
25	YC2-3015860	Arm frame	1	
26	0209022	Screw M10X30	1	
27	YC2-4299524	Locking cylinder liner	1	

TAV3.1	WORKING ARM ASSEMBLY	ED. 03/2020
--------	----------------------	-------------

ITEM	PART NO.	DESCRIPTION	QTY	REMARK
28	YC2-4299522	Seal	1	
29	0202027	Screw M6X35	2	
30	0306063	Tee rotation union 4-1/8	1	
31	YC2-4299523	Piston	1	
32	C33A202100	Horizontal arm	1	
33	YC2-3002273	Spring	2	
34	YC2-3007935	Limit block	1	
35	0205009	Washer D.8 - GB/T96	1	
36	0201042	Screw M8X20	1	
37	YC2-3012721	Aluminum nut	2	
38	YC2-3007644	Valve pin	1	
39	0306151	Quick union 4-M5	3	
40	YC2-3012487	Valve body	1	
41	0511194	Fabric insert	1	
42	YC2-3013355	Bottom cap	1	
43	YC2-3007646	Locking ring	1	
44	0309075	O-ring 7.5X2.65	4	
45	YC2-3007647	Spacer	3	
46	YC2-3007645	Cap	1	
47	0209014	Screw M5X8	1	
48	C00AQ33100	Cylinder liner unit	1	
49	YC2-3002629	Spring	1	
50	YC2-4298812	Seal	1	
51	C00AQ33200	Plunger	1	
52	0306166	90 degree quick union 4-M5	1	



TAV3.1.1	LEVERLESS SYSTEM	ED. 03/2020
----------	------------------	-------------

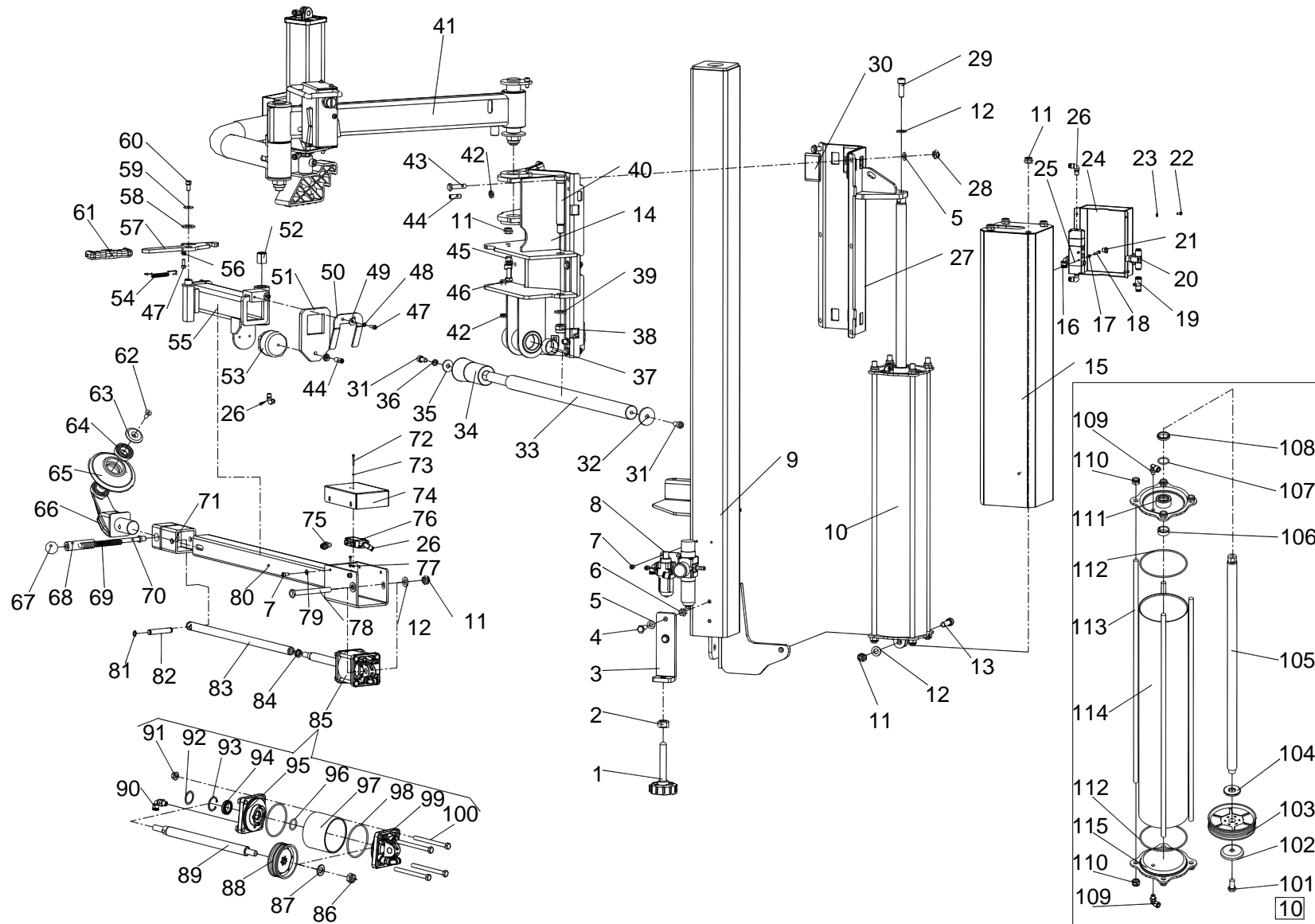
ITEM	PART NO.	DESCRIPTION	QTY	REMARK
1	C01C700011	Rim protection 1	1	
2	0209015	Screw M12X16	2	
3	C01C700001	Mounting tool	1	
4	0209020	Screw M12X12	2	
5	0204016	Nut M12	1	
6	0207066	Screw M10X12	3	
7	0202033	Screw M6X20	2	
8	YCH-4297851	Handle	1	
9	C01E700300	Tool cover	1	
10	0205006	Washer D.6	2	
11	0204003	Nut M6	2	
12	0204056	Nut M8	2	
13	0306277	Quick union $\Phi$ 8-1/8	1	
14	0306087	Silencer 1/8	2	
15	0306254	Control valve 1/8	1	
16	0306035	90 degree quick union 4-1/8	2	
17	C00BQ35000	Mounting hook cylinder unit	1	
18	C01C700010	Hinge	1	
19	C01C700008	Bush	2	
20	0205011	Washer D.10	2	
21	0201059	Screw M10X16	2	
22	0204007	Nut M12	1	
23	C01C700002	Roller	1	
24	C01C700004	Thread shaft	1	
25	C01C700100	Hook guiding frame	1	
26	0205013	Washer D.12	1	
27	0201078	Screw M12X25	1	

TAV3.1.1	LEVERLESS SYSTEM	ED. 03/2020
----------	------------------	-------------

28	0202043	Screw M8X12	1
29	0205008	Washer D.8	1
30	C01C700015	Outer bush	2
31	C01C700003	Mounting hook	1
32	C01C700005A	Screw M8X38	1
33	C01C700007	Roller	1
34	C01C700014	Inner bush	1
35	C01C700017	Nut	1
36	0207062	Screw M5X12	3
37	C01C700006	Rim protection 2	1
38	0206091	Screw M12X50	1
39	C01C700018	Cover	1
40	0206023	Screw M4X8	2
41	C00BQ35004	Stud	2
42	0306035	90 degree quick union 4-1/8	2
43	0204025	Nut M8	4
44	C00BQ35001	Cylinder back flange	1
45	C00BQ35005	Screw	2
46	C00BQ35006	Cylinder liner	1
47	0309105	O-ring 92.5X3.55	2
48	0305041	Guiding ring 67X9.5X2	1
49	0606004	O-ring 20X2.75	1
50	C00BQ35002	Cylinder flange	1
51	0606016	Seal 20X30X7	1
52	YC1-4398146	Washer	1
53	0211004	Seeger D.30 - GB/T893.1	1
54	C01E700009	Cylinder support	2

TAV3.1.1	LEVERLESS SYSTEM	ED. 03/2020
----------	------------------	-------------

55	0205008	Washer D.8	2
56	0204004	Nut M8	2
57	0214044	Knuckle bearing	1
58	0204016	Nut M12	1
59	C00BQ35003	Cylinder shaft	1
60	0606155	Piston	1
61	0205013	Washer D.12	1
62	0204007	Nut M12	1





TAV4	RIGHT HELPER	ED. 03/2020
------	--------------	-------------

ITEM	PART NO.	DESCRIPTION	QTY	REMARK
1	YC1-2004002	Screw	1	
2	02030025	Nut M16 - GB/T6170	1	
3	C05F000003	Support bracket	1	
4	02010049	Screw M10X30 - GB/T5783	2	
5	02050011	Washer D.10 - GB/T97.1	14	
6	02030032	Nut M10 - GB/T6170	2	
7	02020024	Screw M16X12 - GB/T5783	6	
8	C00AQ52000	INFLATOR+LUBRICATION GROUP	1	
9	C34B320000	Vertical post	1	
10	C00AQ32000	Air cylinder	1	
11	02040007	Nut M12 - GB/T889.1	7	
12	02050013	Washer D.12 - GB/T97.1	4	
13	02020076	Screw M12X40 - GB/T70.1	1	
14	C34B310000	Carriage A	1	
15	C34B390000	Cover	1	
16	03060037	Quick union 8 1/4	2	
17	02080002	Washer D.4 - GB/T93	2	
18	02020006	Screw M4X30 - GB/T70.1	2	
19	03060009	Reducer quick union 6-8	1	
20	03060272	T quick union 8 1/4	1	
21	03060087	Silencer 1/8	4	
22	02020008	Screw M4X8 - GB/T70.1	4	
23	02050002	Washer D.4 - GB/T97.1	4	
24	C34B300011	Cover	1	
25	03060364	Air valve	1	
26	03060035	quick union 4 1/8	4	
27	C34B360000	Carriage B	1	

TAV4	RIGHT HELPER	ED. 03/2020
------	--------------	-------------

ITEM	PART NO.	DESCRIPTION	QTY	REMARK
28	02040005	Nut M10 - GB/T889.1	6	
29	02020071	Screw M12X35 - GB/T70.1	1	
30	C34B300007	Slider	16	
31	02020060	Screw M10X20 - GB/T70.1	2	
32	YCH-3002311	Washer	1	
33	C34B300010	Pin	1	
34	C05K500002	Roller	1	
35	02050010	Washer D.10 - GB/T96	1	
36	02080007	Washer D.10 - GB/T93	1	
37	02100021	Bush SF-1/3520	2	
38	02040008	Nut M16 - GB/T889.1	1	
39	02050020	Washer D.16 - GB/T97.1	1	
40	C34B300003	Pin	1	
41	C34B370000	Press arm	1	
42	02040012	Nut M10 - GB/T6172.1	7	
43	02010123	Screw M10X40 - GB/T5782	6	
44	00209022	Screw M10X30 - GB/T77	5	
45	02020070	Screw M12X20 - GB/T70.1	1	
46	02010048	Screw M10X25- GB/T5781	2	
47	02020032	Screw M6X16- GB/T70.1	4	
48	02080005	Washer D.6 - GB/T93	2	
49	02050007	Washer D.6 - GB/T96	2	
50	C34B300002	Forked leaf spring	1	
51	C34B300001	Arm locking plate	1	
52	02100003	Bush SF-1/2025	2	
53	YC2-2099665	Locking cylinder unit	1	
54	C33B300007	Spring	1	

TAV4	RIGHT HELPER	ED. 03/2020
------	--------------	-------------

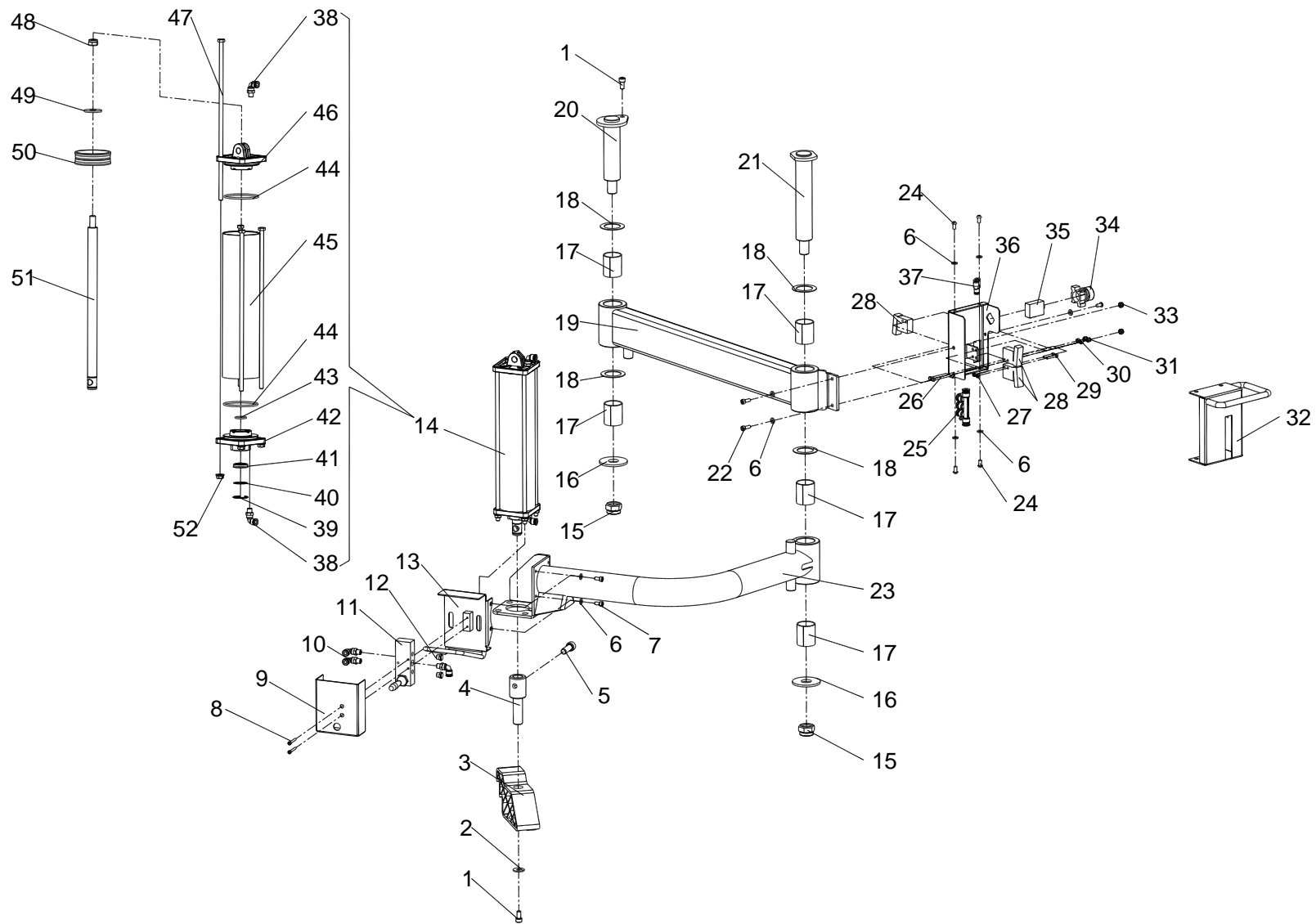
ITEM	PART NO.	DESCRIPTION	QTY	REMARK
55	C34B330000	Arm	1	
56	02030035	Nut M6 - GB/T52	2	
57	C34C442001	Arm locking plate	1	
58	02050021	Washer D.18- GB/T97.1	2	
59	00205009	Washer D.8- GB/T96	1	
60	02020040	Screw M8X16- GB/T70.1	1	
61	C34A440006	Handle	1	
62	02070036	Screw M8X20- GB/T70.3	1	
63	C05P000006	Cover	1	
64	02140001	Bush GB/T276/6005	2	
65	C33A310004	Bead breaking disk	1	
66	C34B380000	Support	1	
67	02150017	Knob	1	
68	C34B300004	Handle	1	
69	XSZ-6-5	Spring	1	
70	C34B300005	Pin	1	
71	C34B350000	connector	1	
72	02060004	Screw M3X25- GB/T818	2	
73	02050001	Washer D.3- GB/T97.1	2	
74	C34B300006	Cover	1	
75	03060036	quick union 6 1/8	3	
76	00306363	Control valve 1/8	1	
77	02030001	Nut M3 - GB/T52	2	
78	02010116	Screw M12X110- GB/T5782	1	
79	02050006	Washer D.6- GB/T97.1	4	
80	C34B340000	Arm	1	
81	02120001	Seeger D.12 - GB/T894.1	2	

TAV4	RIGHT HELPER	ED. 03/2020
------	--------------	-------------

ITEM	PART NO.	DESCRIPTION	QTY	REMARK
82	C34B300008	Pin	1	
83	C34B300009	Long pin	1	
84	02040016	Nut M12 - GB/T6172.1	1	
85	C00BQ34000	cylinder	1	
86	02040007	Nut GB/T889.1/M12	1	
87	02050013	Washer GB/T97.1/12	1	
88	YC1-4198856	Piston	1	
89	C00BQ35003	Piston rod	1	
90	03060036	90° quick union 6-1/8	2	
91	02040025	Nut GB/T6177.1/M8	4	
92	YC1-4398146	Washer	1	
93	02110004	Seeger GB/T893.1/30	1	
94	0606016	Scraper 20X30X7	1	
95	YC1-3015024A	Front flange	1	
96	0606004	O-ring 20x2,75	1	
97	C00BQ34001	Cylinder liner	1	
98	0606007	O-ring 75x3,55	2	
99	YC1-3015023A	Back flange	1	
100	02010182	Screw GB/T5782/M8X90	4	
101	02010078	Screw GB/T5783/M12X25	1	
102	C00AQ32001	Support ring	1	
103	C00AQ32006	Piston	1	
104	C00AQ32002	Washer	1	
105	C00AQ32003	Piston shaft	1	
106	03050007	Guiding ring 25X10X2.5	1	
107	06060086	O-ring 25X2.65	1	
108	03110001	Scraper 25X33X4.5/6	1	

TAV4	RIGHT HELPER	ED. 03/2020
------	--------------	-------------

ITEM	PART NO.	DESCRIPTION	QTY	REMARK
109	03060137	90° quick union 8-R1/8	2	
110	02040007	Nut GB/T889.1/M12	8	
111	C00AQ32200	Front flange	1	
112	03090090	O-ring 125X3.1	2	
113	C00AQ32005	Stud	4	
114	C00AQ32004	Cylinder Iner 125X670	1	
115	C00AQ32100	Back flange	1	



TAV5.3	HELPER	ED. 03/2020
--------	--------	-------------

ITEM	PART NO.	DESCRIPTION	QTY	REMARK
1	02020040	Screw GB/T70.1/M8X16	2	
2	02050009	Washer GB/T96/8	1	
3	YCP-3008404	Bead press tool	1	
4	C34B370001	Connect pin	1	
5	02020071	Screw GB/T70.1/M12X35	1	
6	02050006	Washer GB/T97.1/6	9	
7	02020024	Screw GB/T70.1/M6X12	2	
8	02020012	Screw GB/T70.1/M4X30	2	
9	C34B370002	Cover	1	
10	03060036	90° quick union 6-1/8	3	
11	03060365	Control valve five-way	1	
12	03060087	Silencer G1/8	2	
13	C34B370300	Control valve base	1	
14	C00DQ37000	Air cylinder	1	
15	02040027	Nut GB/T889.1/M20	2	
16	02050024	Washer GB/T96/20	2	
17	02100055	Bush SF-1/3545	6	
18	02100109	Washer AS355201	5	
19	C34B370100	Arm	1	
20	C34B370600	Pin	1	
21	C34B370700	Pin	1	
22	02020032	Screw GB/T70.1/M6X16	2	
23	C34B370200	Arm	1	
24	02060092	Screw GB/T70.2/M6X12	5	
25	03060318	Reducer union five-way 6-4	1	
26	0201248	Screw GB/T5781/M4X45	2	
27	02040001	Nut GB/T889.1/M4	2	

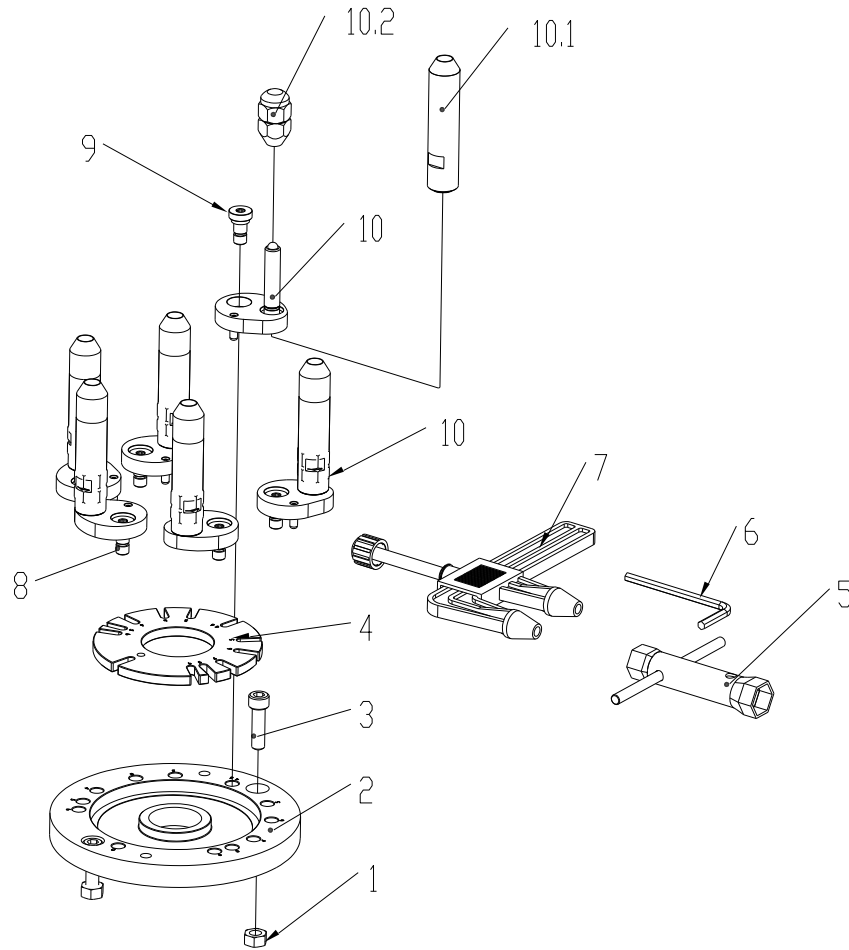
TAV5.3	HELPER	ED. 03/2020
--------	--------	-------------

ITEM	PART NO.	DESCRIPTION	QTY	REMARK
28	03060249	Control valve 1/8	3	
29	02020005	Screw GB/T70.1/M4X25	2	
30	02030031	Nut GB/T6170/M5	2	
31	02040002	Nut GB/T889.1/M5	2	
32	C34B370400	Cover	1	
33	02040003	Nut GB/T889.1/M6	2	
34	03060252	Selector	1	
35	03060250	Air valve	1	
36	C34B370500	Control box	1	
37	03060114	Quick union Φ4	1	
38	03060036	90° quick union 6-1/8	2	
39	02110004	Seeger GB/T893.1/30	1	
40	YC1-4398146	Washer	1	
41	06060016	Scraper 20x30x7	1	
42	YC1-3015024A	Front flange	1	
43	06060004	O-ring 20X2.75	1	
44	03090039	O-ring 75X3.1	2	
45	C00DQ37001	Cylinder liner	1	
46	YC1-3015023A	Back flange	1	
47	C00CQ37003	Screw M8X344	4	
48	02040007	Nut GB/T889.1/M12	1	
49	02050014	Washer GB/T96/12	1	
50	YC1-4198856	Piston	1	
51	C00CQ37002	Piston rod	1	
52	02040025	Nut GB/T6177.1/M8	4	



# UNIVERSAL ADAPTOR

ED. 03/2020



UNIVERSAL ADAPTOR

ED. 03/2020

ITEM	PART NO.	DESCRIPTION	QTY	REMARK
1	02030032	Nut M10 - GB/T6170	2	
2	C107030001	Base	1	
3	02020063	Screw M10X35 - GB/T70.1	2	
4	C107030002	Support	1	
5	PF-211810	T-hexagonal wrench	1	
6	06900090	Hexagonal elbowed wrench	1	
7	PF-211820	Holes detector	1	
8	C107030004	Fixed screw	1	
9	C107030003	Screw	5	
10	C107031000	Support	6	
10.1	C107030006	Support pin	6	
10.2	C107030005	Lug nut	6	